



www.tmmanterola.com

Tips for installation,
use and maintenance



TECHNICAL SPECIFICATIONS L-400

PRODUCT



MATERIALS

- 1 BODY CW617N brass, according to EN 12165. Chrome-plated.
- 2 SPINDLE CLOSURE CW617N brass, according to EN 12164.
- 3 WATER-TIGHTNESS SEAL NBR.
- 4 WATER-TIGHTNESS O-RING SEAL · NBR
- 5 HANDLE · ABS chrome-plated.

FEATURES

NOMINAL PRESSURE 16bar (PN-16).

FLOW RATE > 35 lit/min, for a 3 bar pressure, according to EN-ISO 3822-2.

Closing with a 4-turn spindle / seat system.

Knurled valve inlet thread.

MAXIMUM TEMPERATURE 90°C.

MINIMUM TEMPERATURE 0°C

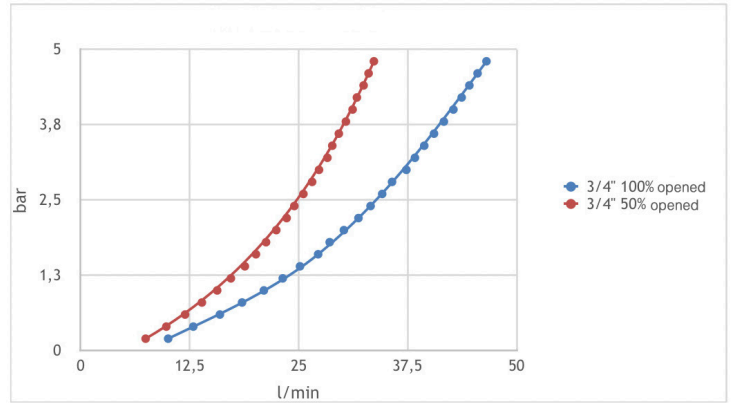
(excluded freezing).

NOTE: All materials used to manufacture these valves are suitable for contact with water intended for human consumption.

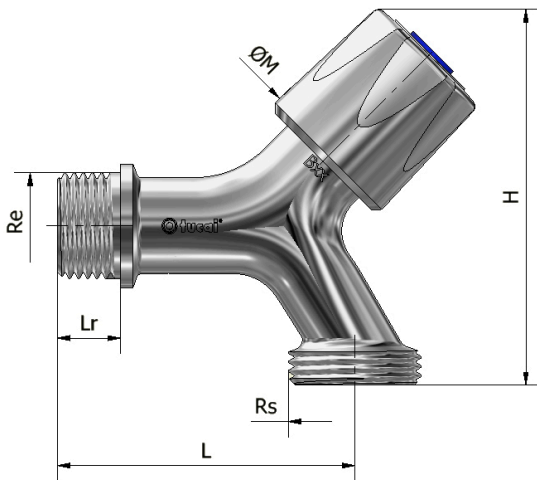
DESCRIPTION

The L-400 faucet is a valve used in plumbing installations. It is designed to cut off individually the water supply to points of consumption and appliances such as washing machines, dishwashers and appliances compatible with G 3/4" connection thread. This valve is operated by a spindle system that allows to open, close and regulate the water consumption.

FLOW RATE VS PRESSURE



MAIN DIMENSIONS



Ref.	Dimensions (mm)					
	Rs	Re	L	Lr	ØM	H
0400016	3/4"	1/2"	59	12,5	30	75